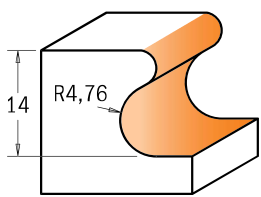


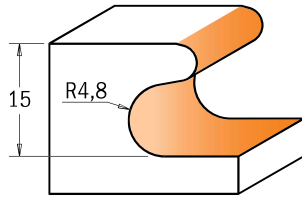
8/955



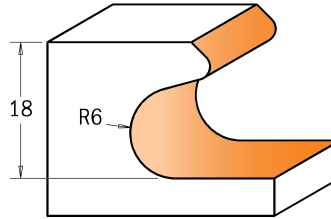
Why interrupt the subtle linearity of an all-wood drawer front or cabinet door with a metal knob or handle? Use a CMT finger pull bit and make a harmonious wooden handle. Two options are available: a template profile made directly in the wood or a European-style hardwood pull as illustrated below.



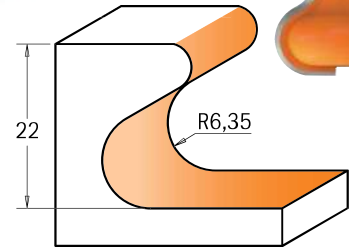
955.102.11
855.602.11



955.105.11
955.605.11
855.605.11



955.103.11
855.603.11



955.601.11
855.601.11

Drawing is 1:1 scale

D mm	d mm	T ₁ mm	I mm	R mm	R ₁ mm	L mm		ORDER NO. S=Ø8mm	ORDER NO. S=Ø12mm	ORDER NO. S=Ø12,7mm
19,05	9,5	14	19,05	4,76	2,4	57,2	10	955.102.11		855.602.11
29	11	15	20	4,8	2,3	60	10	955.105.11	955.605.11	855.605.11
38,1	17	18	20,7	6	1,8	55,5	10	955.103.11		855.603.11
38,1	17	18	20,7	6	1,8	61,8	10			855.603.11
47,6	24	22	28,5	6,35	3,2	66,6	10		955.601.11	855.601.11

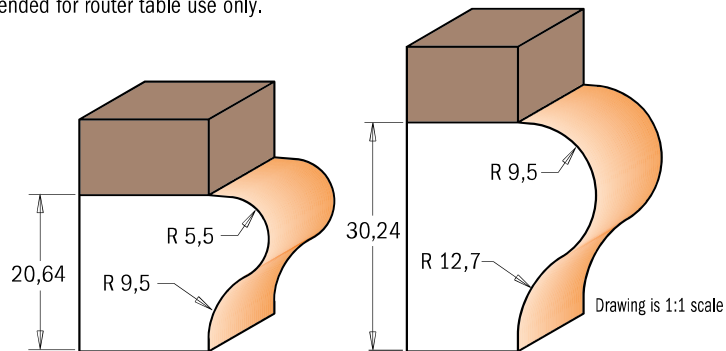
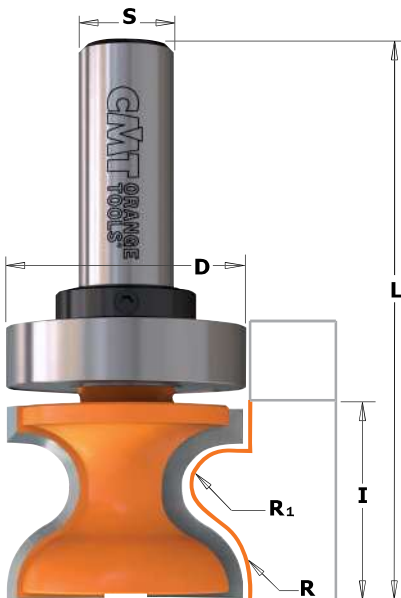
new

Window Sill & Finger Bits

8/955.8 - 8/955.8B



Originally, these profiles were designed for shaping the edges of window sills. Yet, these bits also can be used to create finger pulls on the edges of doors and drawers. These bits are available with top bearings for curved template work or without bearings for straight cuts against a fence. Recommended for router table use only.



Drawing is 1:1 scale

R ₁ mm	R mm	D mm	I mm	L mm		ORDER NO. S=Ø12mm	ORDER NO. S=Ø12,7mm
5,5	9,5	31,7	25,4	73	10	955.804.11	855.804.11
9,5	12,7	38,1	35	85,8	10	955.805.11	855.805.11
With top bearing							
5,5	9,5	31,7	25,4	73	10	955.804.11B	
5,5	9,5	31,7	25,4	73	10		855.804.11B
9,5	12,7	38,1	35	85,8	10	955.805.11B	
9,5	12,7	38,1	35	85,8	10		855.805.11B

Spare parts

791.015.00	541.005.00	990.005.00	991.056.00
791.015.00	541.002.00	990.005.00	991.056.00
791.020.00	541.005.00	990.005.00	991.056.00
791.020.00	541.002.00	990.005.00	991.056.00